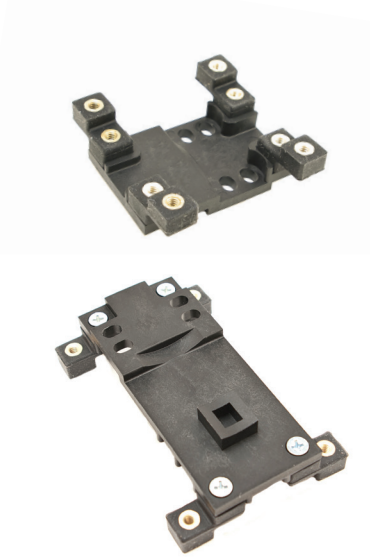


# EZ-Mount

## Vibration Isolation Mounting System

For BTC/TTC/LTC Series Pumps



*Pictured EZ Mounts shown fully assembled with baseplate and isolation feet.*

**EZ Mount** provides ease of installation and effective control of vibration transfer. EZ Mount was designed to mount easily to all Precision Fluidic BTC, TTC and LTC Family of diaphragm pumps.

### Features

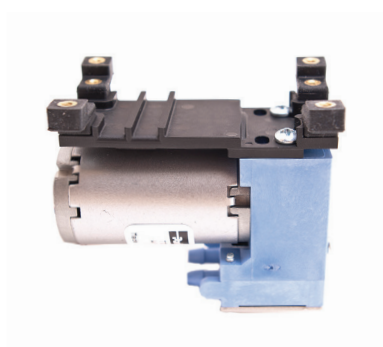
- Isolation feet on the EZ mount can be rotated in any one of three ninety-degree planes and is designed for top-down or bottom-up mounting providing simple installation.
- EZ Mount was designed to minimize weight added to the pump assembly. Approximate weights are: Style A - 0.63 oz (18 g), Style B - 0.71 oz (20 g).
- Effectively absorbs vibration to minimize most vibration-induced noise and vibration transfer into an instrument.
- Designed to keep height and size to a minimum.
- Engineered for Parker BTC, TTC and LTC pumps to ease integration into your system.

## Physical Properties

Operating Environment:	41 - 158°F (5 - 70°C)
Humidity:	0 - 95% Relative Humidity
Base Plate:	Noryl GTX830
Feet:	Silicone
Feet Insert:	Brass
Hardware:	Zinc-Plated Steel

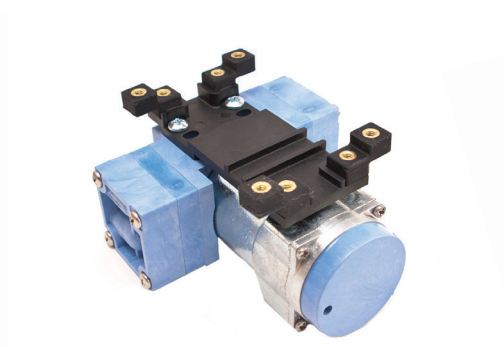
## Product Assemblies

BTC/LTC/TTC



PMDC Iron Core Brush Motor

BTC IIS/LTC IIS



Brushless Slotted (High Torque) Motor

BTC IIS /TTC IIS



Brushless DC Motor

EZ Mount kits include all necessary hardware and detailed instructions.

Isolation Feet are available in either threaded or thru-hole clearance for standard #4-40 or #6-32 (M3 for clearance hole only) hardware and can be mounted in any of three ninety-degree planes.



## Product Specifications

### BTC/LTC/TTC Single Head Pump with PMDC Iron Core Brush Motor

Part Number	Style	Description
00329-10-A45S	B	#4-40 Threaded
00329-10-B45S	B	#4 Clearance
00329-10-D45S	B	#6-32 Threaded
00329-10-C45S	B	#6 / M3 Clearance

### BTC/LTC/TTC Single Head Pump with Brushless Slotless Motor

Part Number	Style	Description
01074-10-A45S	B	#4-40 Threaded
01074-10-B45S	B	#4 Clearance
01074-10-D45S	B	#6-32 Threaded
01074-10-C45S	B	#6 / M3 Clearance

### BTC /LTC/TTC Single Head Pump and BTCIIS/TTC IIS Dual Head Pump with Brushless Slotted Motor

Part Number	Style	Description
00328-10-A45S	A	#4-40 Threaded
00328-10-B45S	A	#4 Clearance
00328-10-D45S	A	#6-32 Threaded
00328-10-C45S	A	#6 / M3 Clearance

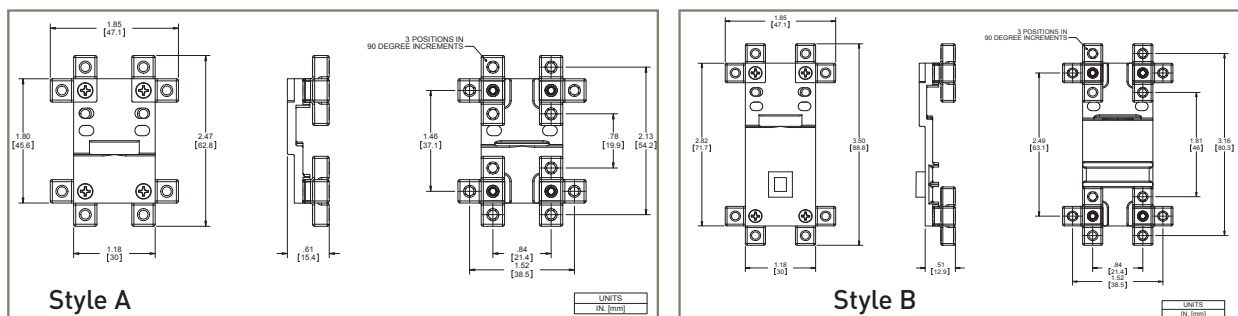
### BTC-IIS/LTC-IIS Dual Head Pump with Brushless Slotted Motor (High Torque)

Part Number	Style	Description
00331-10-A45S	B	#4-40 Threaded
00331-10-B45S	B	#4 Clearance
00331-10-D45S	B	#6-32 Threaded
00331-10-C45S	B	#6 / M3 Clearance

### BTC-IIS/TTC-IIS Dual Head Pump with PMDC Iron Core Brush Motor

Part Number	Style	Description
00332-10-A45S	B	#4-40 Threaded
00332-10-B45S	B	#4 Clearance
00332-10-D45S	B	#6-32 Threaded
00332-10-C45S	B	#6 / M3 Clearance

## Dimensions



## Ordering Information

Please click on the Order On-line button (or go to [www.parker.com/precisionfluidics/ezmount](http://www.parker.com/precisionfluidics/ezmount)) to select your EZ Mount Accessory.

